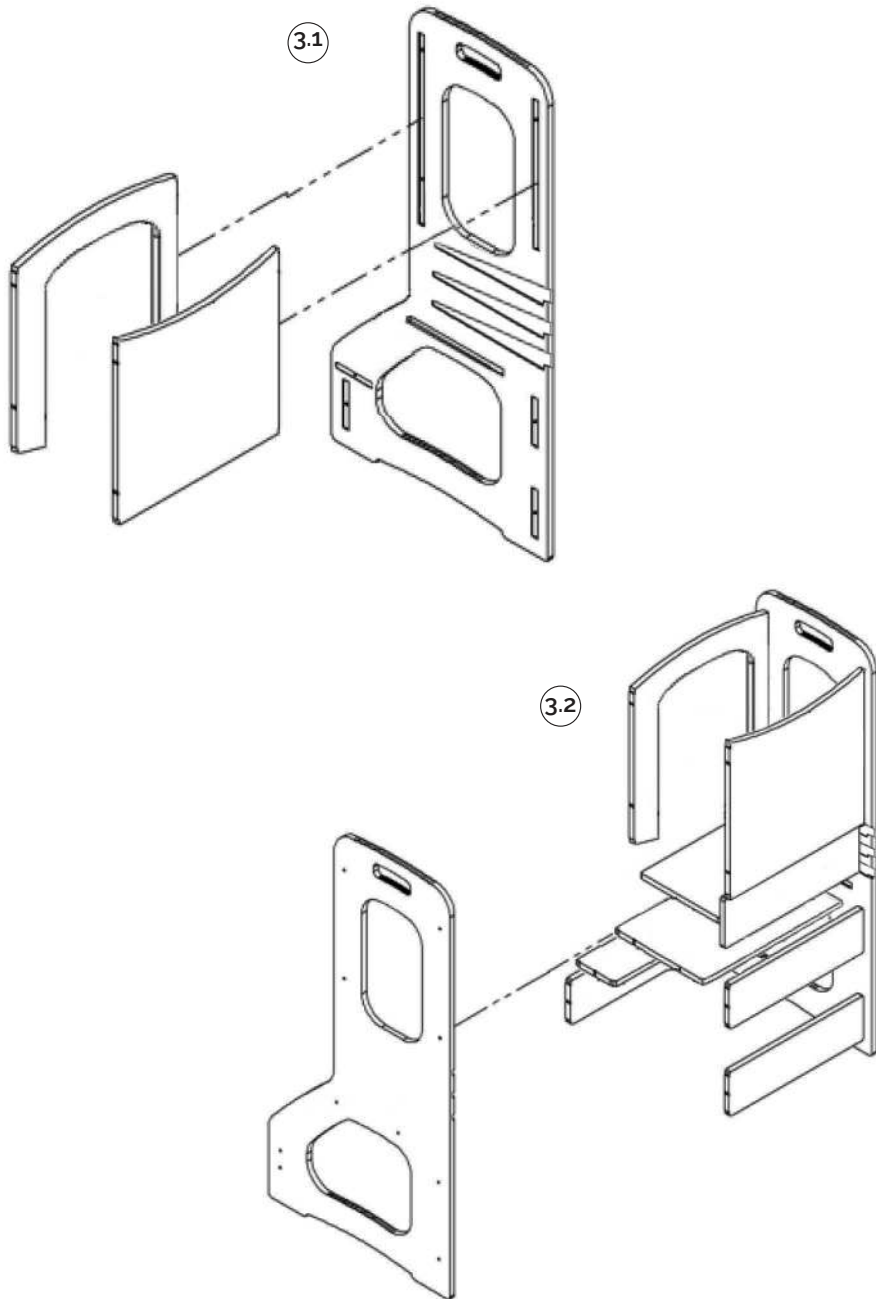
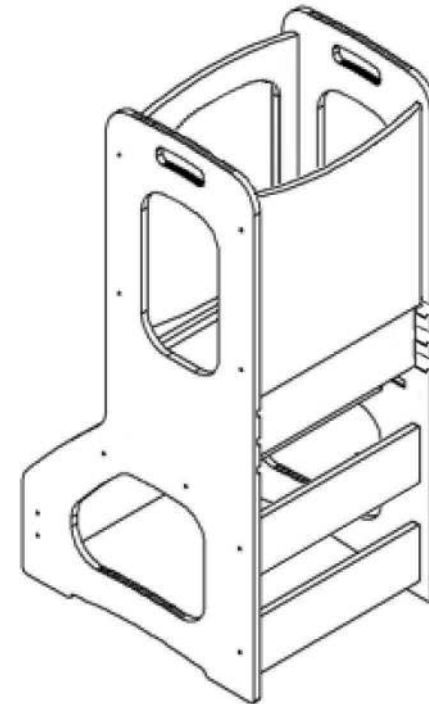


- 3** Continue installing pieces into allocated slots as pictured
Fix in place using a screwdriver. Complete installation by checking unit.



TODDLER CHEF STOOL®

Open Back



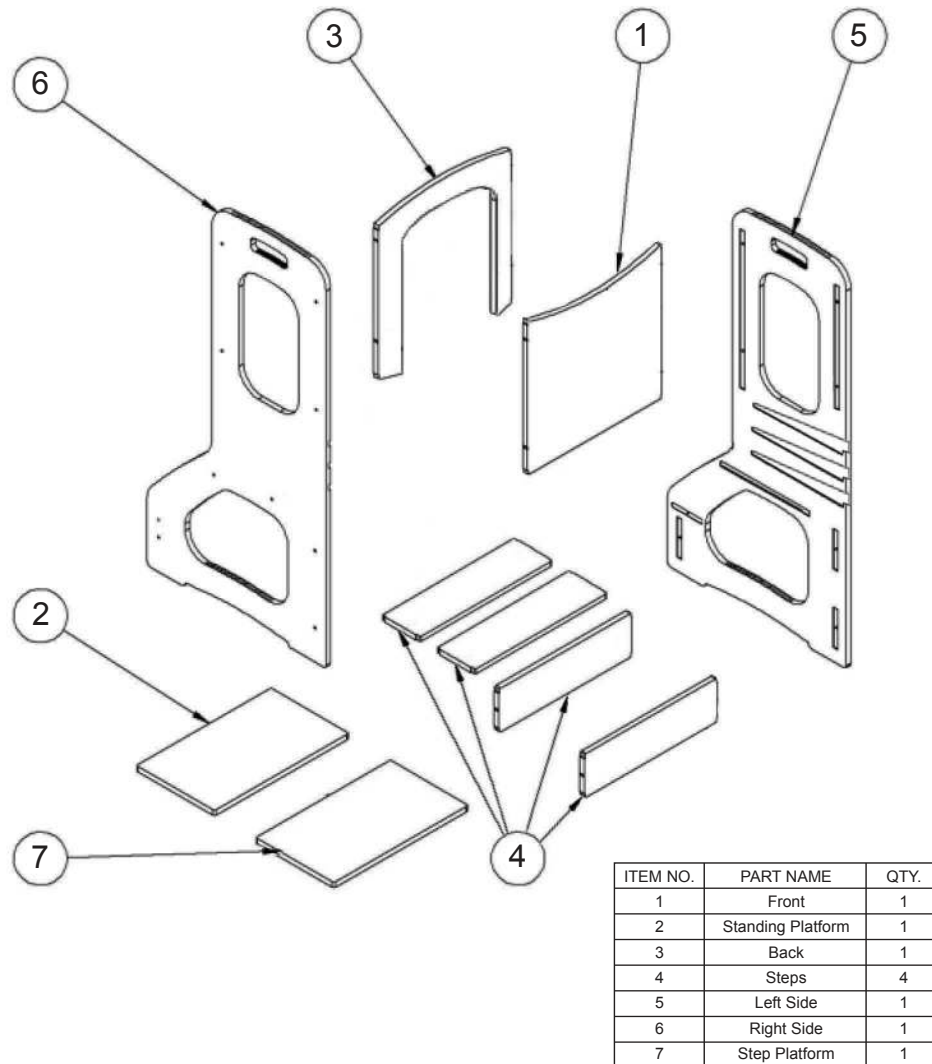
1 Unpack all items and layout in open area.

Assembly Tips:

- Do not use a battery drill, a screw driver is all you need.
- When assembling your Hubby Made Toddler Chef Stool® ensure you have the screw holes correctly lined up with the pre-drilled holes.

Painting Tips:

We recommend a coat of paint before assembling the Toddler Chef Stool®, being careful not to apply too much paint into the assembly grooves, then a second coat once assembled. Painting will help protect from sticky little fingers making it easier to wiping down.



2 Insert pieces into allocated slots as pictured
Fix in place using a screwdriver.

