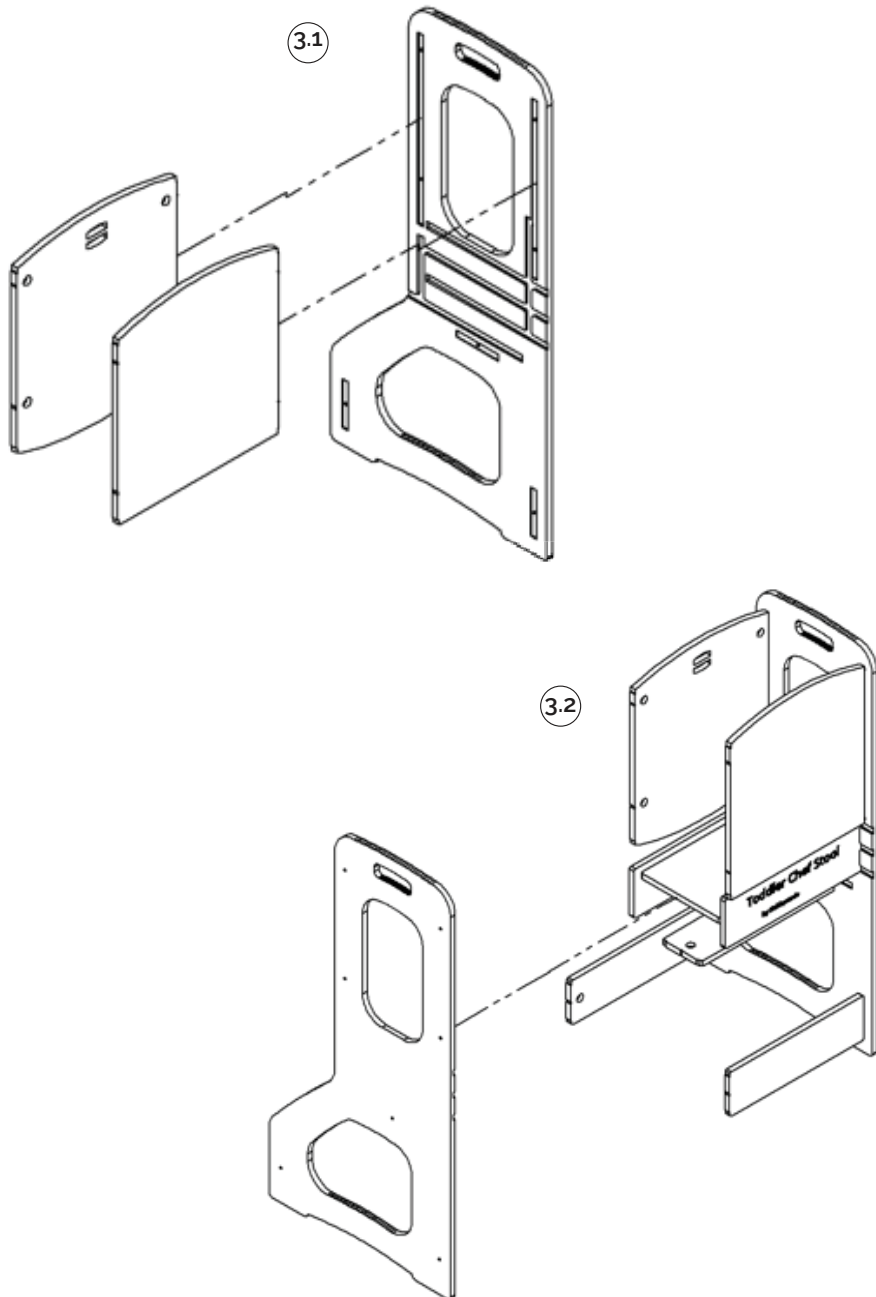
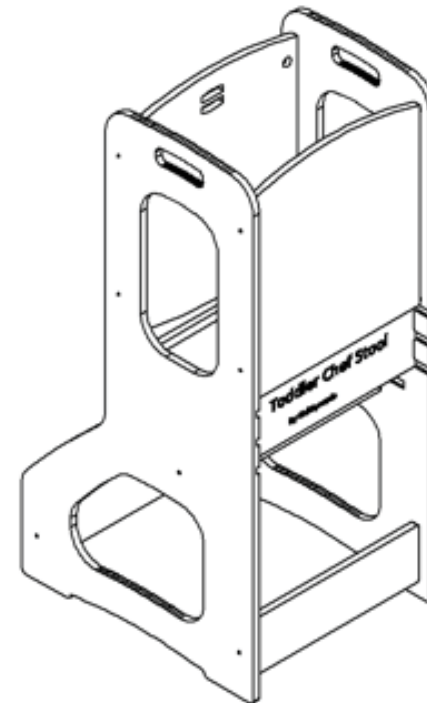


- 3** Continue installing pieces into allocated slots as pictured
Fix in place using a screwdriver. Complete installation by checking unit.

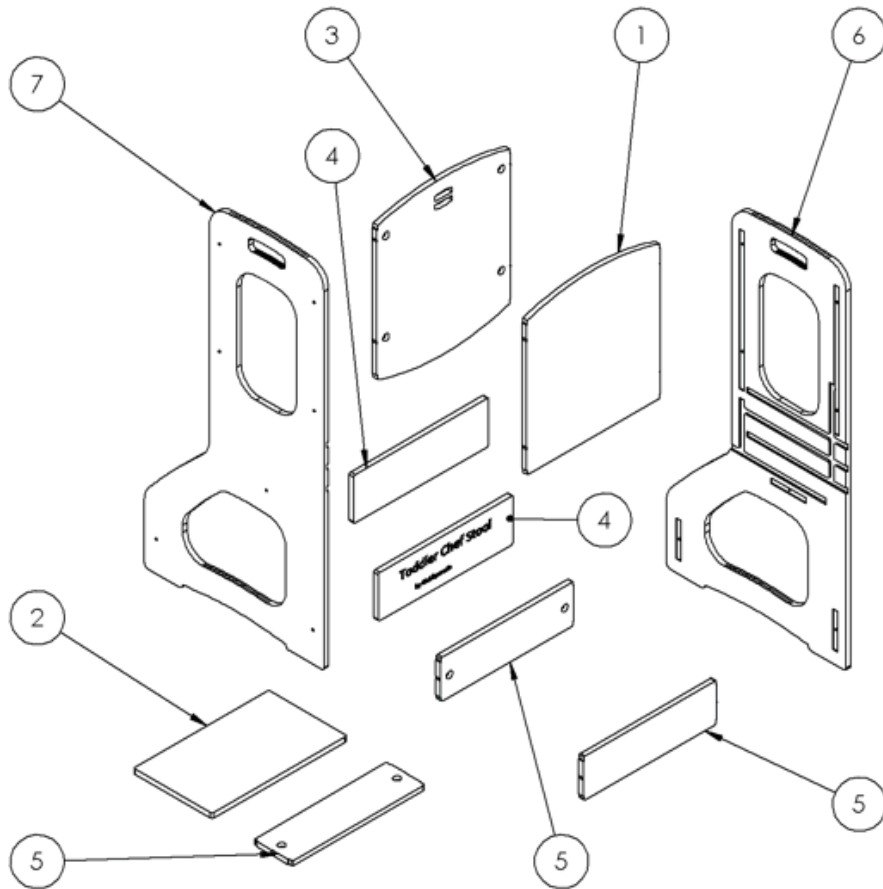


TODDLER CHEF STOOL



1 Unpack all items and layout in open area.

ITEM NO.	PART NAME	QTY.
1	Front	1
2	Standing Platform	1
3	Back	1
4	Ends	2
5	Rails	3
6	Left Side	1
7	Right Side	1



2 Insert pieces into allocated slots as pictured
Fix in place using a screwdriver.

